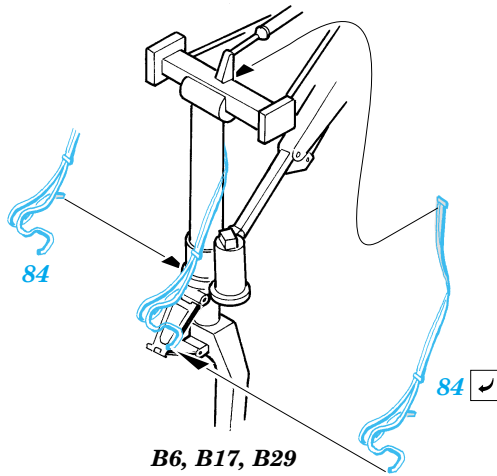


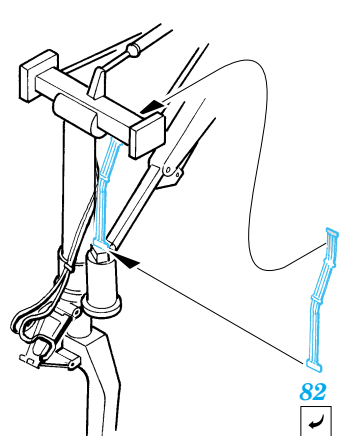
66

B6, B17, B29



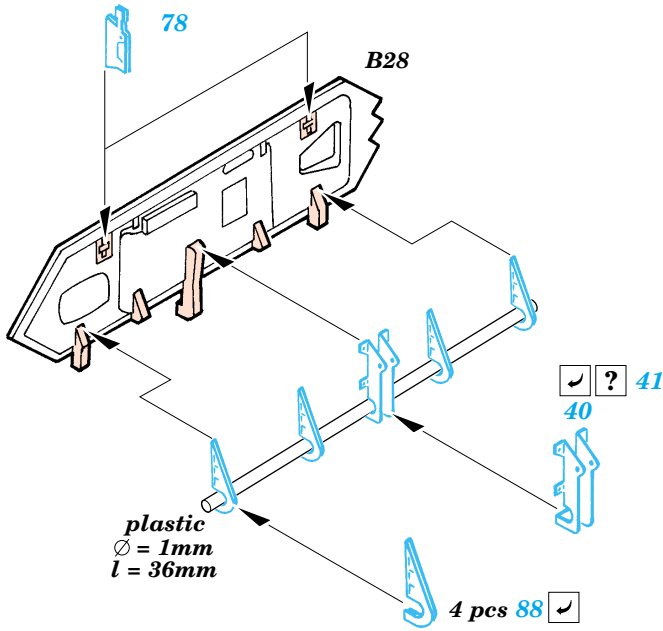
84

B6, B17, B29



82

B6, B17, B29



78

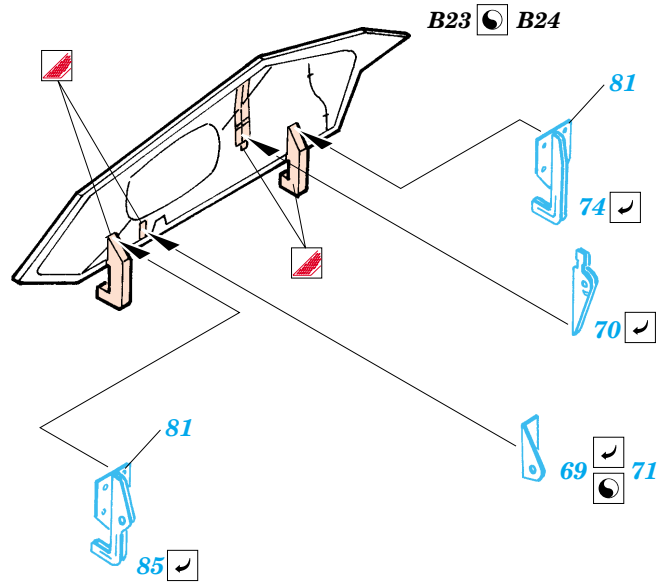
B28

plastic
Ø = 1mm
l = 36mm

41

40

4 pcs 88



B23 B24

81

74

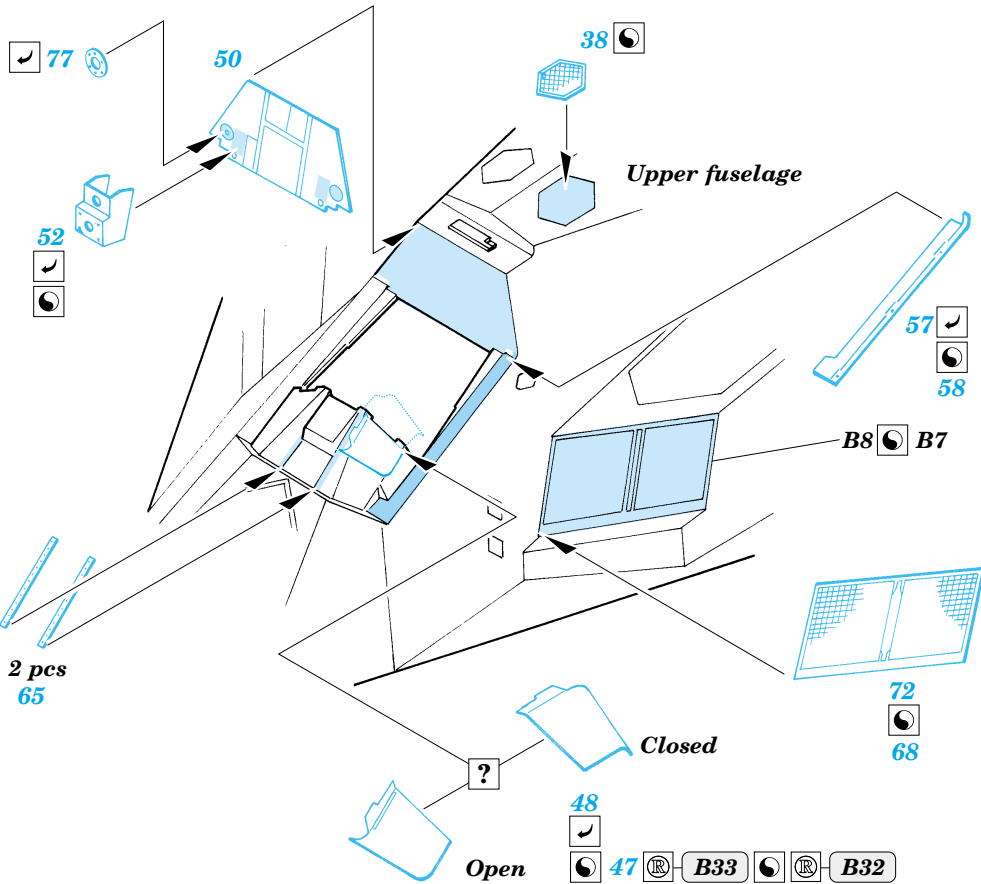
70

69

71

81

85



Upper fuselage

77

50

38

52

57

58

B8 B7

72

68

2 pcs 65

48

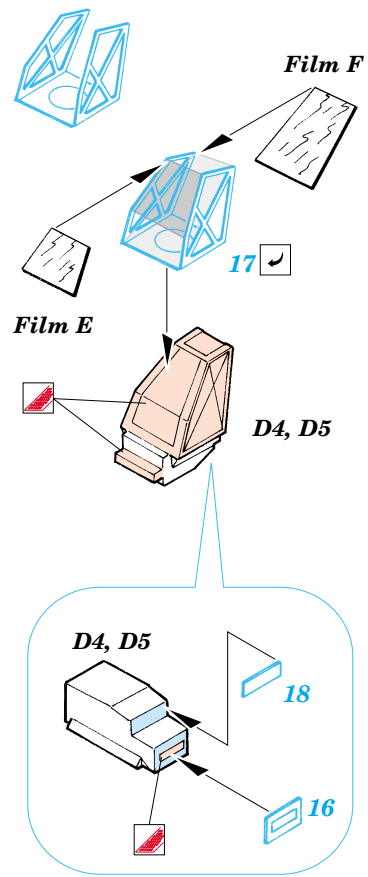
47

Closed

Open

B33

B32



Film F

17

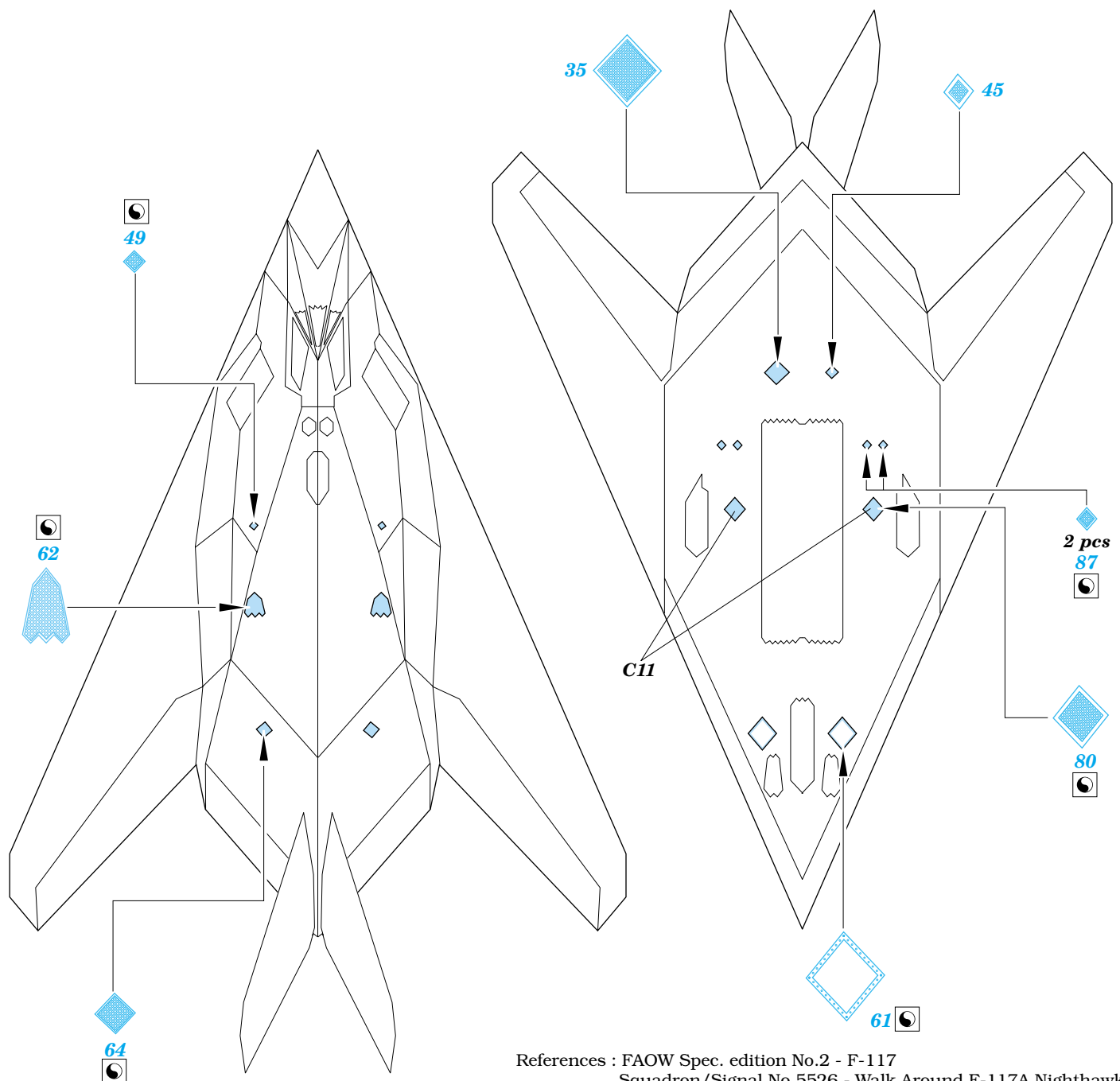
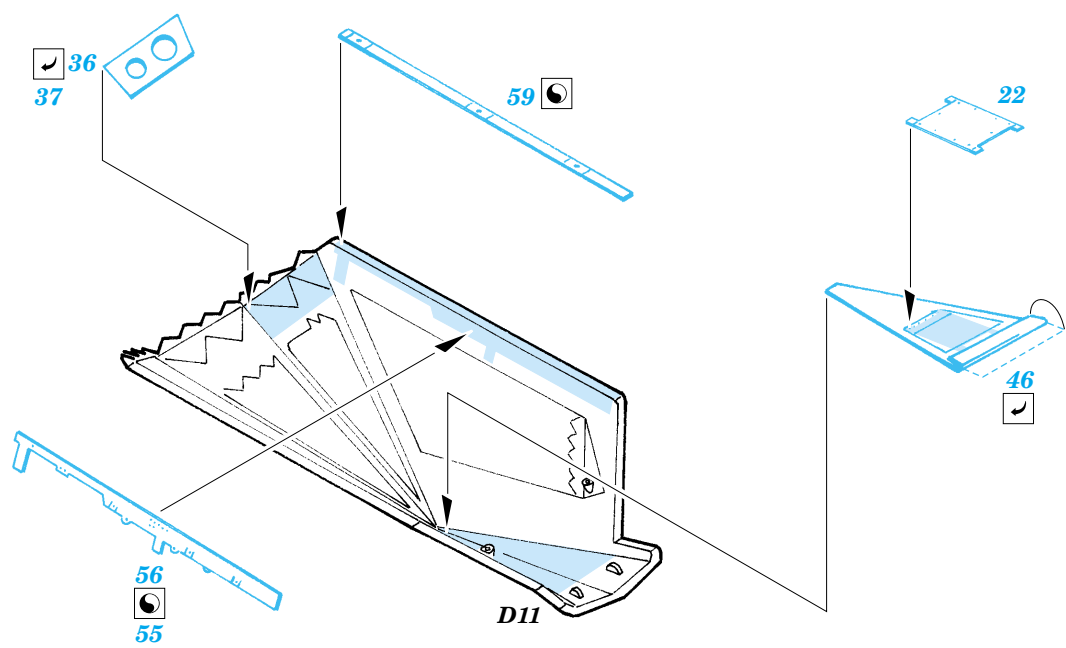
Film E

D4, D5

D4, D5

18

16



References : FAOW Spec. edition No.2 - F-117
Squadron/Signal No.5526 - Walk Around F-117A Nighthawk